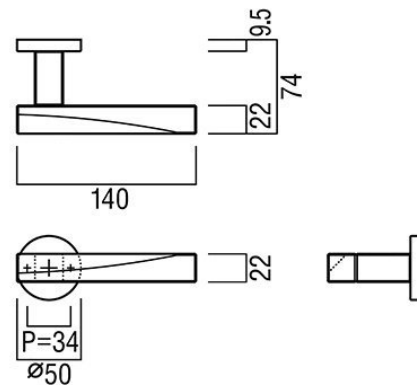


## RYOUKOU



Product image



Dimensions drawing (DIM)

### Reference

SEAL005

### Description

Introducing the Ryoukou Lever Handle, a piece of architectural ironmongery that combines sleek design with high-quality materials. The name "Ryoukou" is inspired by the Japanese words for "clear" and "light", reflecting the Lever Handle's sleek and understated appearance.

Crafted from durable aluminum, this Lever Handle features a unifrost finish that gives it a sleek and modern appearance. The black anodized finish adds to its contemporary style, making it an ideal choice for modern homes and offices.

Measuring in at 140×50×74mm, the Ryoukou Lever Handle is the perfect size for any standard door. Its ergonomic design ensures a comfortable grip every time, while its solid construction provides long-lasting durability.

The Ryoukou Lever Handle is a piece of architectural ironmongery that combines both form and function. Its stylish design and durable aluminum construction make it a standout choice for modern interiors.