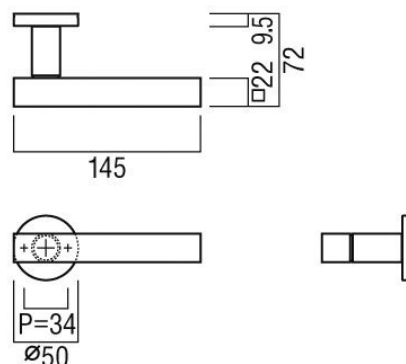


GINZOU



Product image



Dimensions drawing (DIM)

Reference

SEAL004

Description

Introducing the Ginzou Lever Handle, a piece of architectural ironmongery that combines contemporary style with superior functionality. The name "Ginzou" is derived from the Japanese word for "silver", reflecting the Lever Handle's sleek and polished appearance.

Crafted from high-quality stainless steel, this Lever Handle boasts a stone blast finish that provides a unique and textured appearance. The stainless steel material is resistant to corrosion, ensuring that it remains in pristine condition even after years of use.

Measuring in at 145×50×72mm, the Ginzou Lever Handle is the perfect size for any standard door. Its ergonomic design ensures a comfortable grip every time, while its solid construction provides long-lasting durability.

The Ginzou Lever Handle is a piece of architectural ironmongery that is not only visually appealing but also highly functional. Its contemporary style makes it a great choice for modern homes and offices, while its durable stainless steel construction ensures reliable and long-lasting use.