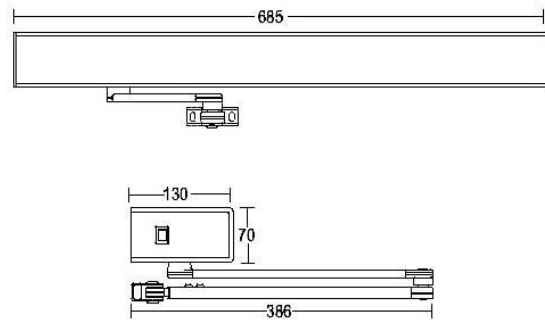


## Heavy duty auto door operator - Push Arm



Product image



Dimensions drawing (DIM)

**Reference**

FAD051 P BLK

**Finish**

PA6 Black

**Material**

Aluminium

**Drive arm type**

Push arm

**Description**

Heavy duty silent operation door operator

Push to open with standard arm set

Maximum door weight 270kg

Maximum door width 1219mm

Configurable to fully automatic, power assisted and low energy

Certifire CF844 for ITT/120 minute timber and MM/IMM/240 minute steel doors subject to limitations as described in the Certifire document

Reverts to a manual door closer in the event of power loss