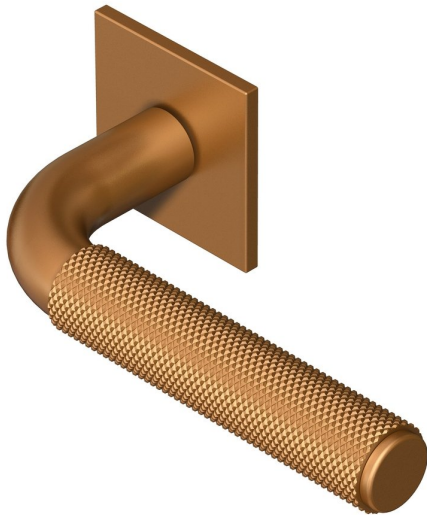
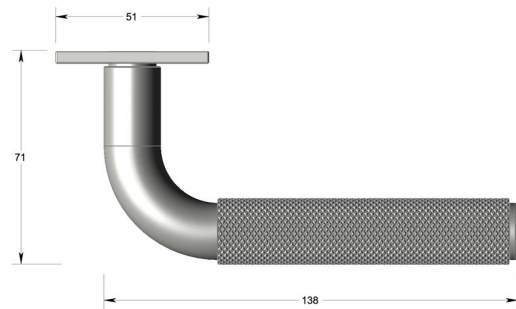


## Straight lever with knurled grip on square rose



Product image



Dimensions drawing (DIM)

**Reference**

FL103 SR4 SPVDCU

**Finish**

Incasa satin PVD copper

**Material**

Stainless steel 316

**Backplate**

SR4

**Description**

Solid lever handle  
 Concealed fixing  
 High performance bearing rose  
 Back to back fixing  
 Conforms to EN1906 high usage  
 Suitable for use on fire doors