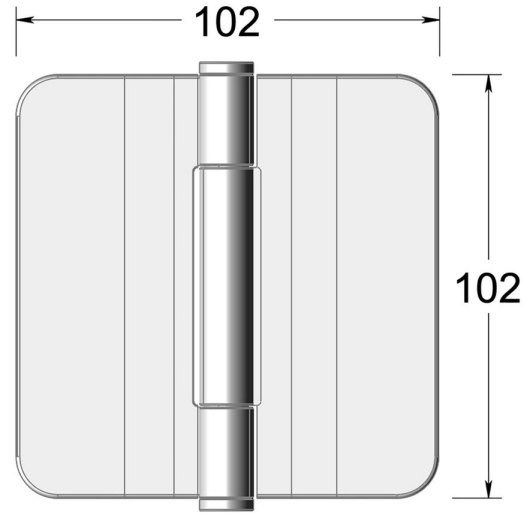


High performance concealed bearing COVER-PLATE hinge



Product image



Dimensions drawing (DIM)

Reference

FH011 R 100 ABR

Finish

Incasa antique brass

Corners

Radius

Description

Suitable for doors up to 160kgs
 High performance low friction / low wear concealed bearing
 Tested to EN1935 grade 14
 For use on timber fire doors up to FD120
 Certifire approved
 UKCA marked

Material

Stainless steel 316

Size

102x102mm