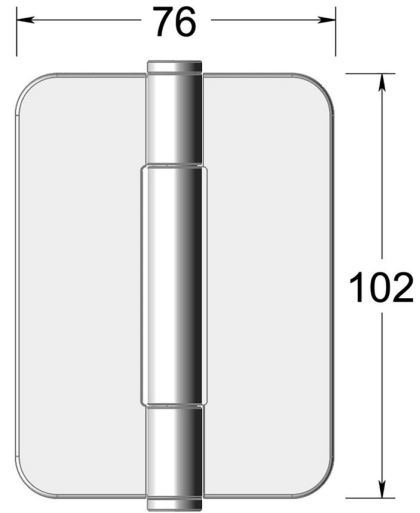


# High performance concealed bearing COVER-PLATE hinge



Product image



Dimensions drawing (DIM)

**Reference**

FH011 R 76 SBKN

**Finish**

Trad Black Nickel

**Corners**

Radius

**Description**

Suitable for doors up to 160kgs  
 High performance low friction / low wear concealed bearing  
 Tested to EN1935 grade 14  
 For use on timber fire doors up to FD120  
 Certifire approved  
 UKCA marked

**Material**

Stainless steel 316

**Size**

102x76mm